



BRAVO 28

Schiebewand *Sliding Doors*

Produkteinformation *Product Information*
Technische Zeichnungen *Technical Drawings*
Bestellformulare *Order Forms*

BRAVO 28



System	System	A		
Deckenschiene 1-gleisig	Top rail 1-track		01	
Bodenschiene 1-gleisig	Bottom rail 1-track		02	
Deckenschiene 2-gleisig	Top rail 2-track		03	
Bodenschiene 2-gleisig / Quersprosse	Bottom rail 2-track / Glazing bar		04	
Deckenschiene 3-gleisig	Top rail 3-track		05	
Bodenschiene 3-gleisig	Bottom rail 3-track		06	
Deckenschiene 4-gleisig	Top rail 4-track		07	
Bodenschiene 4-gleisig	Bottom rail 4-track		08	
Wandanschluss 1-gleisig	Jamb 1-track		09	
Wandanschluss 2-gleisig	Jamb 2-track		10	
Wandanschluss 3-gleisig	Jamb 3-track		11	
Wandanschluss 4-gleisig	Jamb 4-track		12	
Flügelverbindung	Sash overlap		13	
Mittelverbindung	Central connection		14	
Dreh- / Kipp-Fenster	Tilt and turn window		15	
Glasleisten und Glasdicken	Glazing beads and glass thickness		16	
Bestellformular	Order form			BR_28



SUNPARADISE Est.

Bendererstrasse 29 • FL-9494 SCHAAN

www.sunparadise.com • info@sunparadise.com

Telefon +423 235 54 54 • Fax +423 235 54 55

SUNPARADISE Alutechnik Vertriebs GmbH

Rickenbacher Strasse 1 • D-88131 LINDAU

info-de@sunparadise.com

Telefon +49 8382 977710 • Fax +49 8382 977712

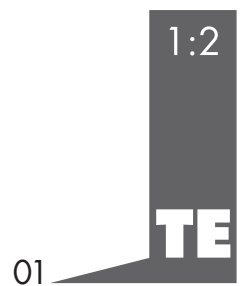
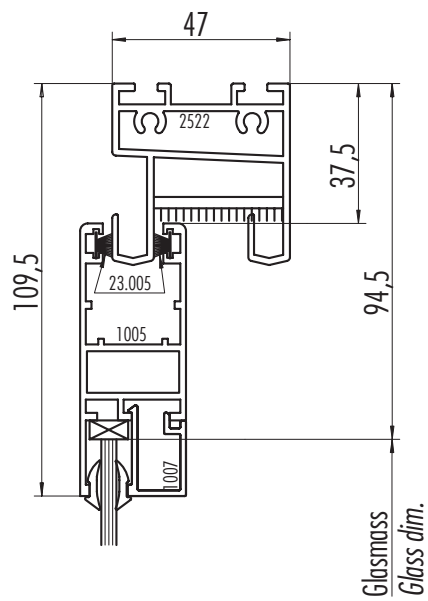
S.E.&O.

Änderungen jederzeit vorbehalten.

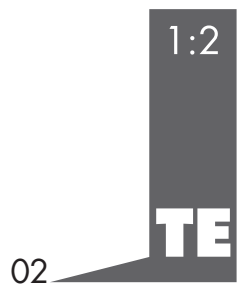
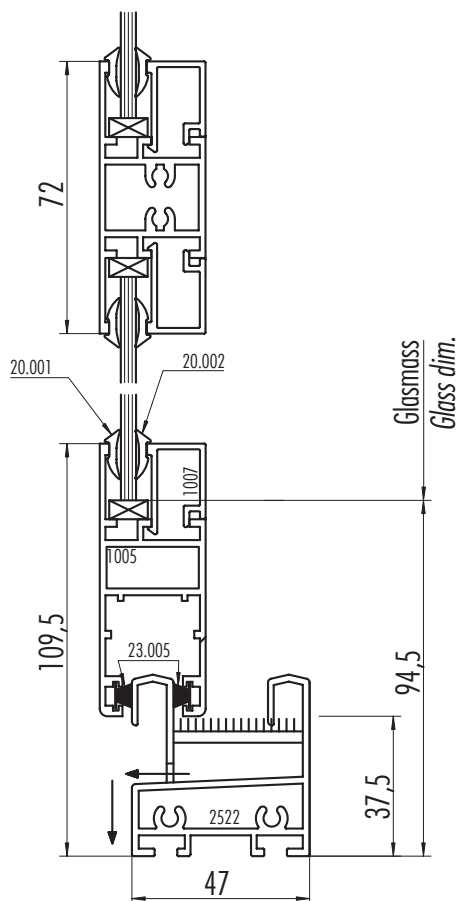
Subject to change without notice.

	<p>Schiebewand aus thermisch nicht getrennten Aluminiumprofilen für leichte, preisgünstige Anwendungen.</p>	<p><i>Sliding doors constructed from non-thermal aluminium sections, for light-weight, cost effective applications.</i></p>
	<p>Ausführung In 1-, 2-, 3- oder 4-gleisiger Ausführung für 1 – 8 Schiebeelemente. Alle Elemente verschiebbar.</p>	<p>Design <i>1-, 2-, 3- or 4-track designs for 1 to 8 sashes. All panels are fully moveable in each option.</i></p>
	<p>Besonderheiten Schmale Profilansichtsbreiten bei den Mittelpartien.</p>	<p>Characteristic features <i>Narrow frame profile and overlap widths.</i></p>
	<p>Technische Details Laufwagen unten, bei jedem Element einseitig höhenverstellbar. Alle Beschläge aus korrosionsbeständigen Werkstoffen.</p>	<p>Technical Details <i>Bottom running; one roller set is height adjustable. All ironmongery parts are made of corrosion resistant materials.</i></p>
	<p>Verglasung Einfachverglasung: 4 – 6mm Sicherheitsglas: 4 – 6mm Verbundsicherheitsglas: 8mm Isolierglas: 16 – 18mm</p>	<p>Glazing <i>Standard or tempered glass: 4 – 6mm Laminated glass: 8mm Insulating glass: 16 – 18mm</i></p>
	<p>Dimensionen Flügelbreite: max. 1500mm Elementhöhe: max. 2300mm Schienenlänge ohne Stoss: max. 6800mm Fläche pro Element: max. 2.5m²</p>	<p>Dimensions <i>Sash width: max. 1500mm Sash height: max. 2300mm Track length without joint: max. 6800mm Area per sash: max. 2.5m²</i></p>

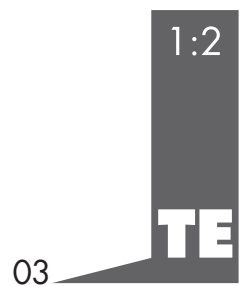
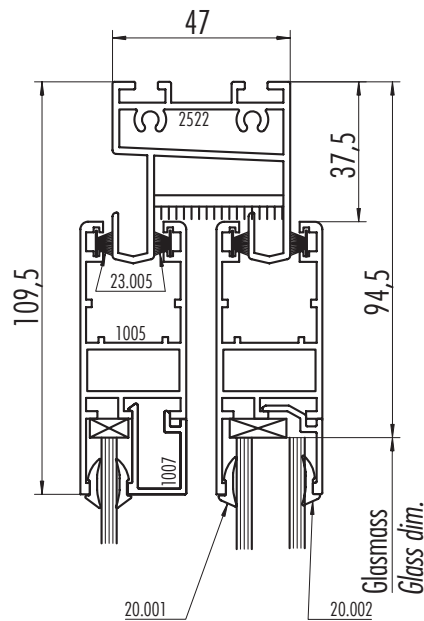
Deckenschiene 1-gleisig
Top rail 1-track



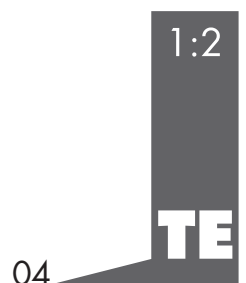
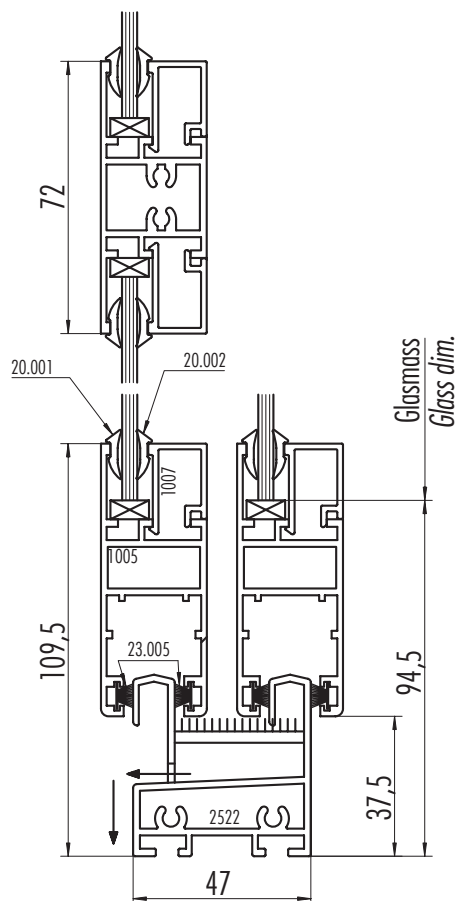
Bodenschiene 1-gleisig
Bottom rail 1-track



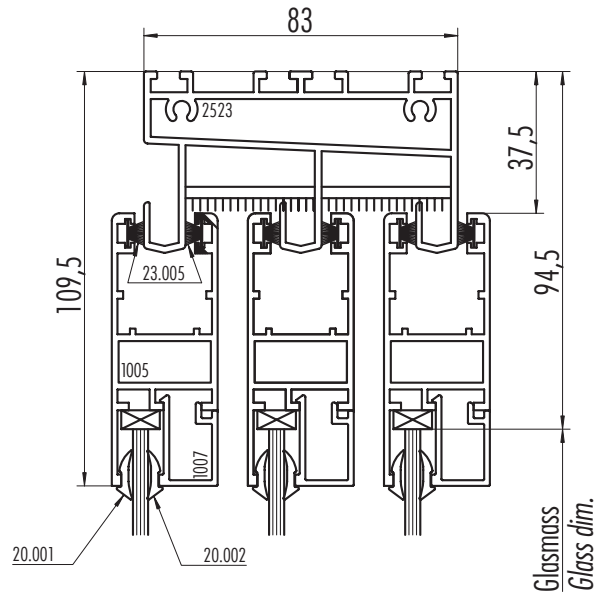
Deckenschiene 2-gleisig
Top rail 2-track



Bodenschiene 2-gleisig / Quersprosse
Bottom rail 2-track / Glazing bar



Deckenschiene 3-gleisig
Top rail 3-track

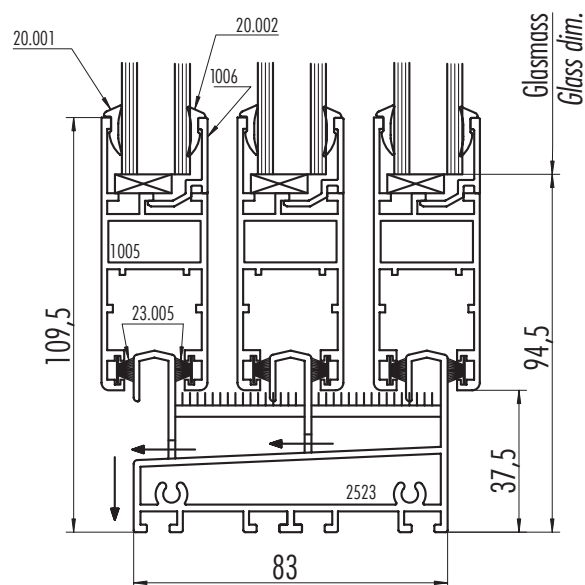


1:2

TE

05

Bodenschiene 3-gleisig
Bottom rail 3-track

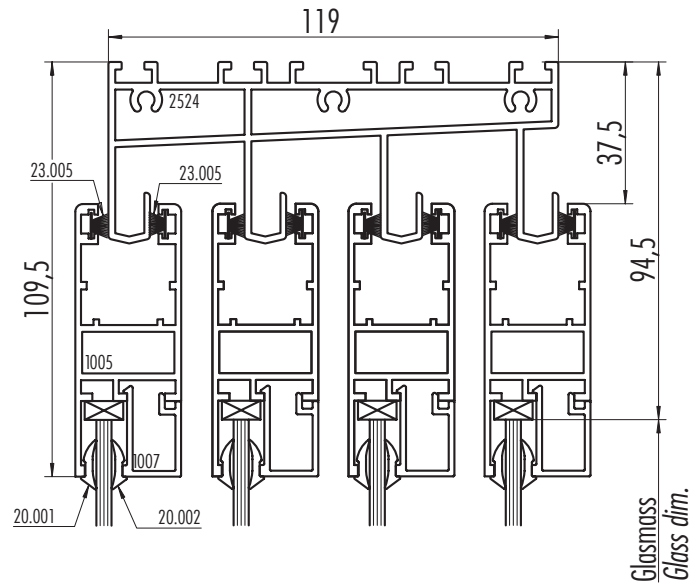


1:2

TE

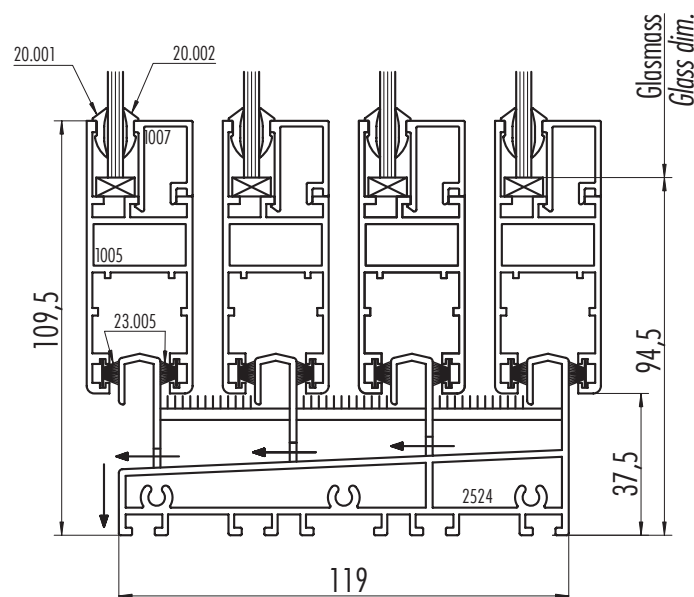
06

Deckenschiene 4-gleisig
Top rail 4-track



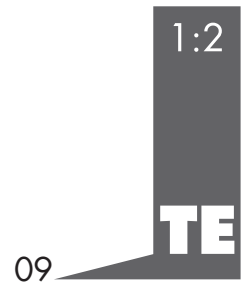
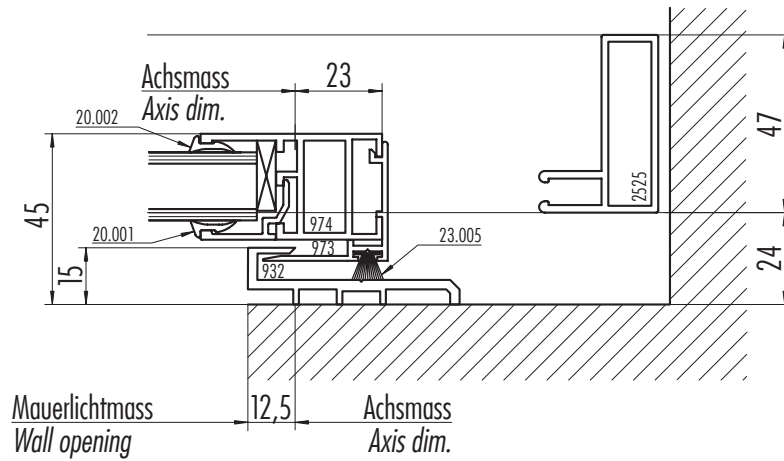
1:2
TE
07

Bodenschiene 4-gleisig
Bottom rail 4-track

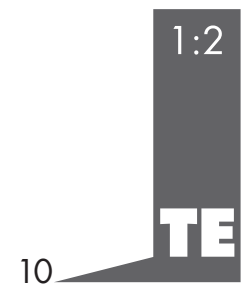
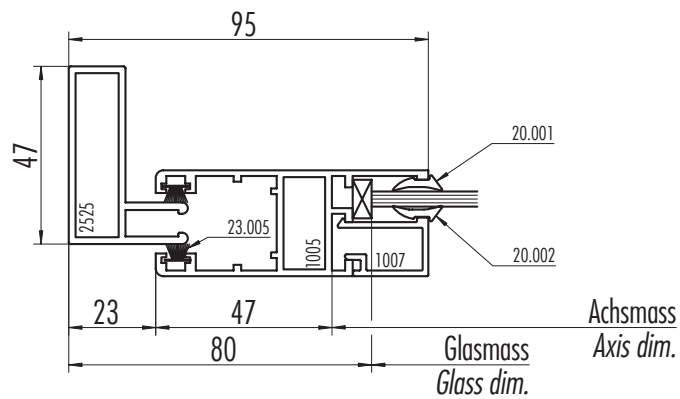


1:2
TE
08

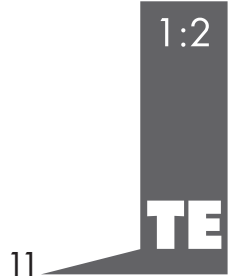
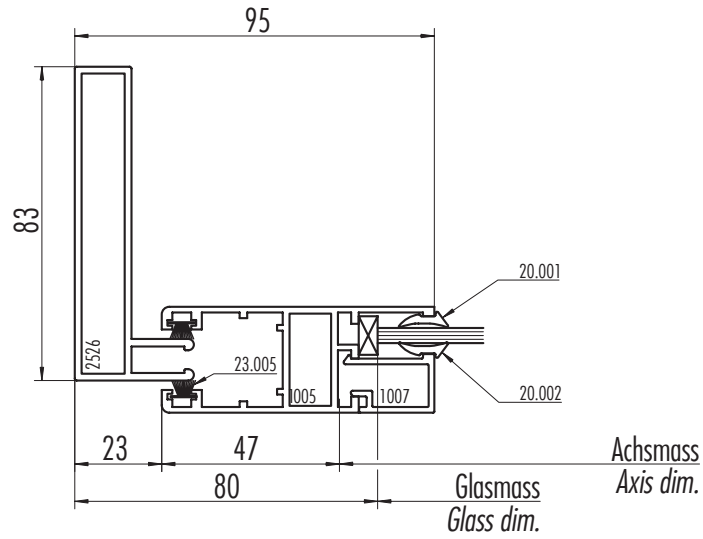
Wandanschluss 1-gleisig
Jamb 1-track



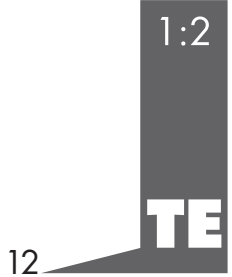
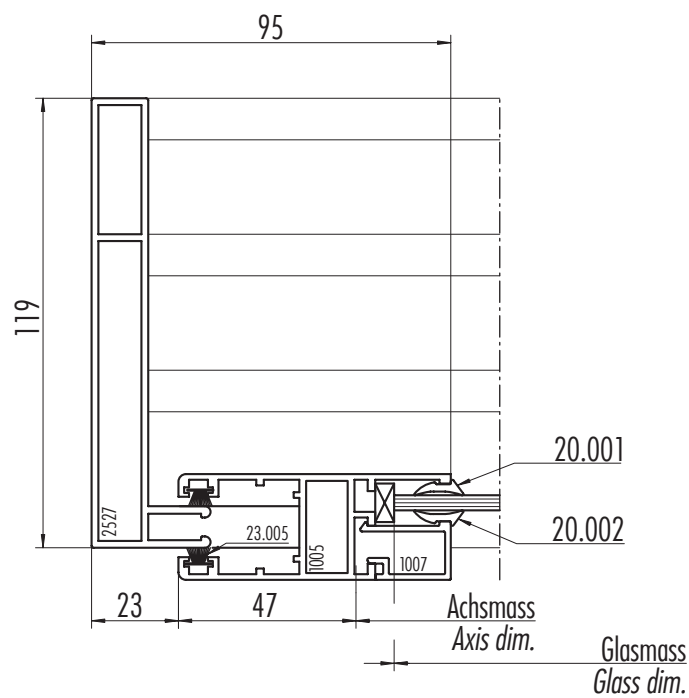
Wandanschluss 2-gleisig
Jamb 2-track

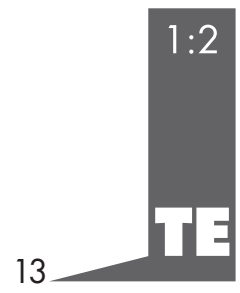
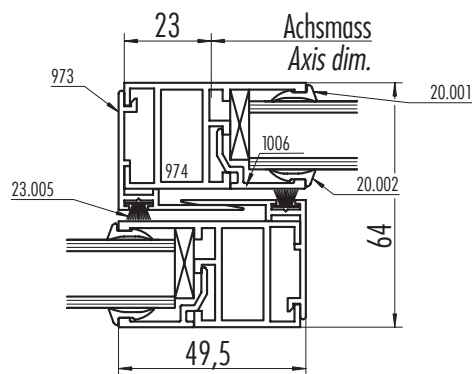


Wandanschluss 3-gleisig
Jamb 3-track

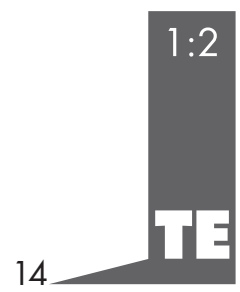
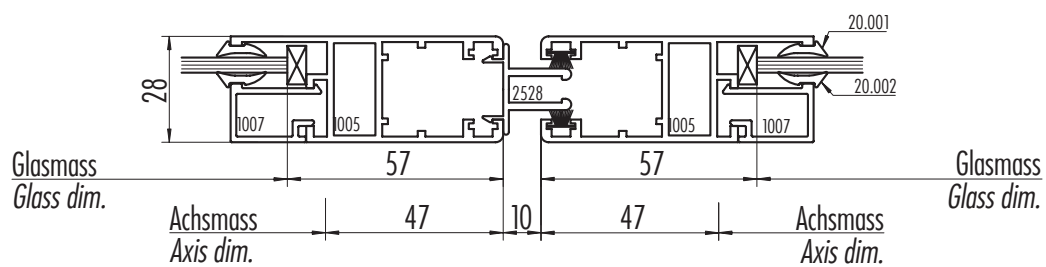


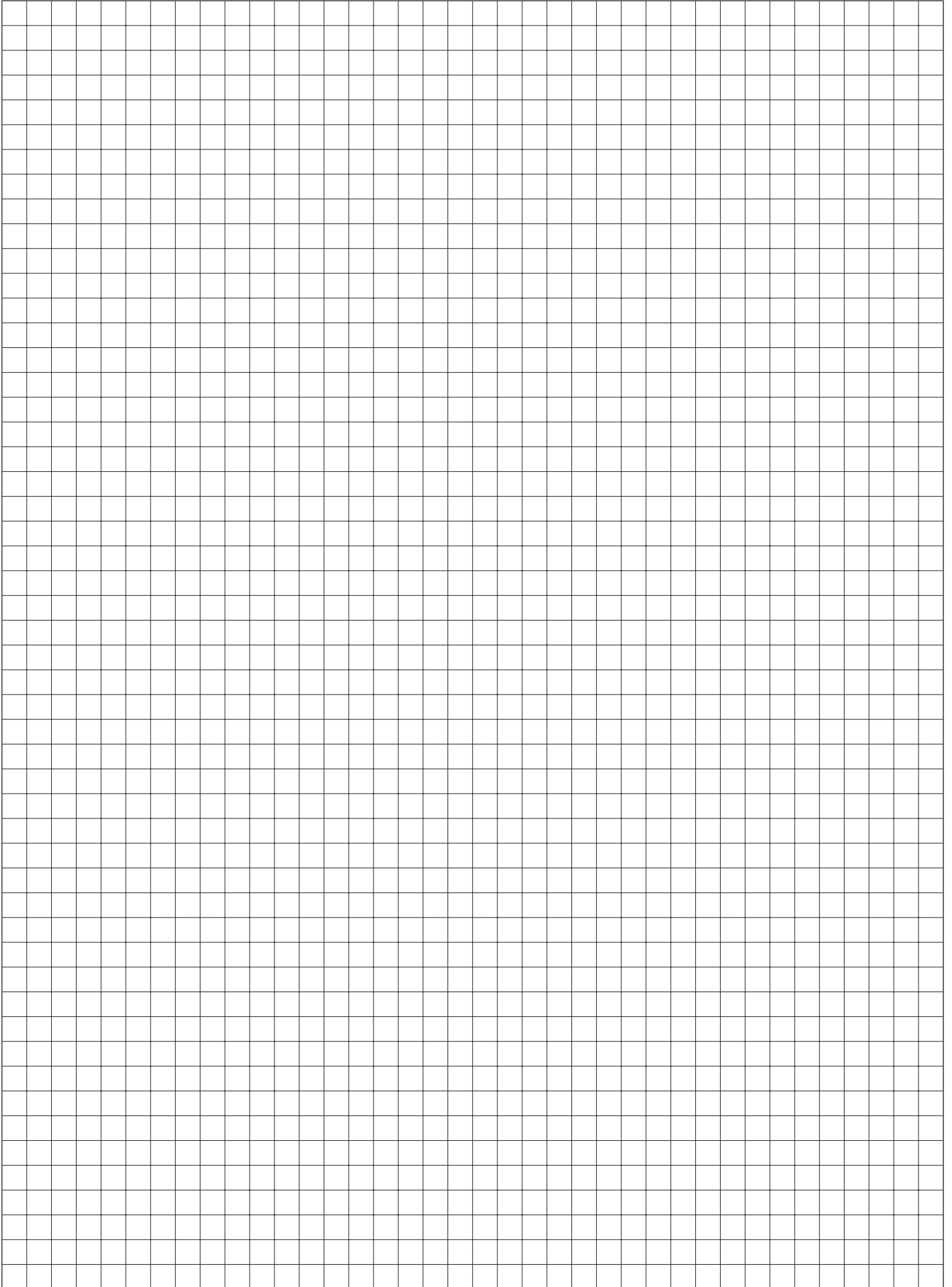
Wandanschluss 4-gleisig
Jamb 4-track

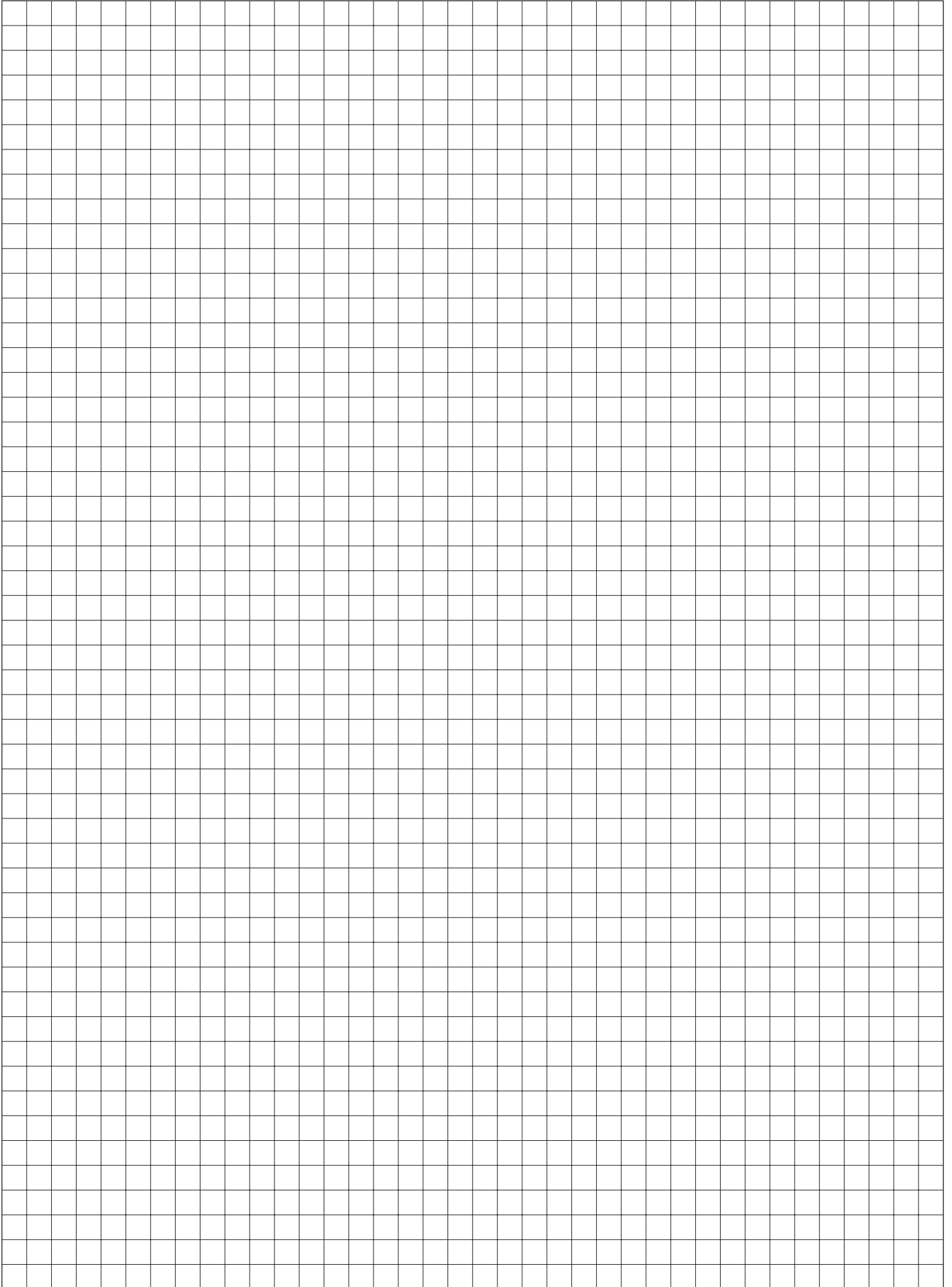


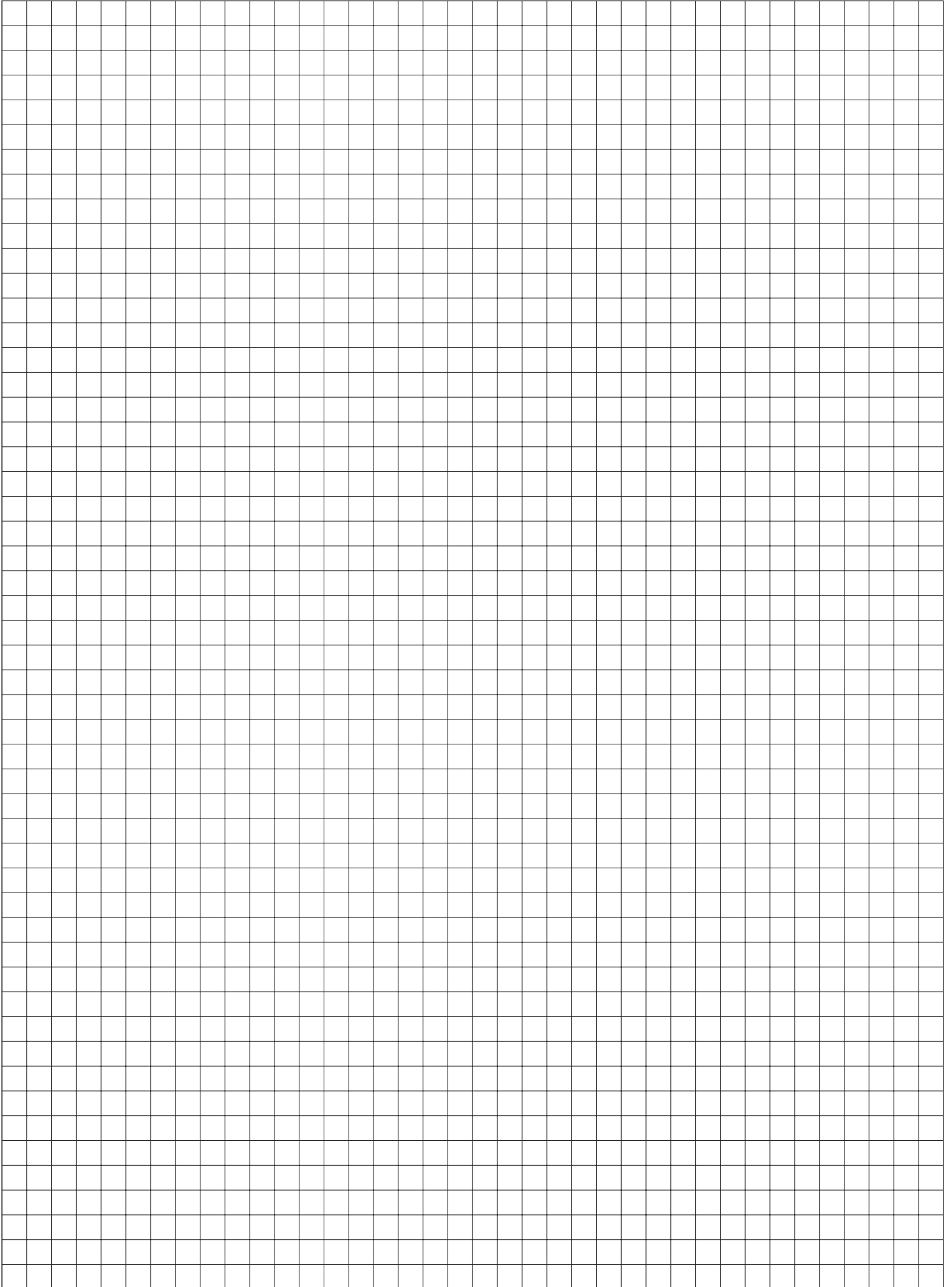


Mittelverbindung
Central connection



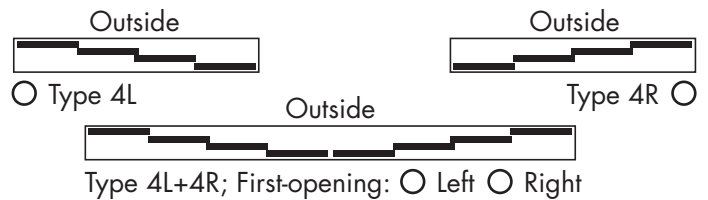
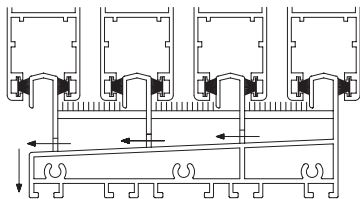
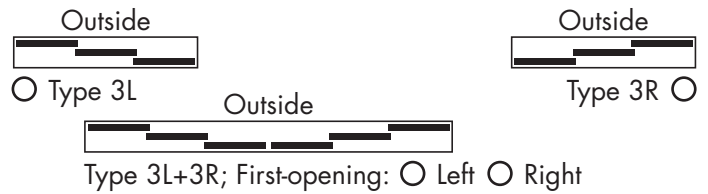
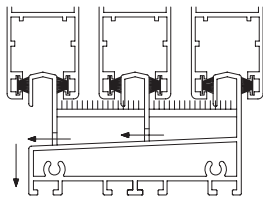
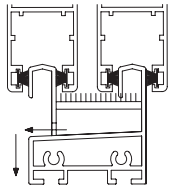








Customer	Reference
	Delivery WK No. [min 4 weeks]
Number of enclosures (Plan/Sketch):	Place/Date
	Signature

Details



Rail extensions	<input type="radio"/> Wall outside <input type="radio"/> Wall inside or <input type="radio"/> 1-track	<input type="radio"/> Wall outside <input type="radio"/> Wall inside Structural opening LM(mm) _____			<input type="radio"/> Wall outside <input type="radio"/> Wall inside Total length L(mm) _____
------------------------	-------------------------------------------------------------------------------------------------------------	------------------------------------------------------------------------------------------------------------	-------------------------------------------------------------------------------------	---------------------------------------------------------------------------------------	-----------------------------------------------------------------------------------------------------

Frame dimensions	Width(mm) _____ Height(mm) _____ Transom height [top] (mm) _____
-------------------------	---------------------------------------------------------------------

Locking bolt height from u/s floor guide	<input type="radio"/> Standard: 1100mm	<input type="radio"/> Other: min.300(mm) _____
-------------------------------------------------	----------------------------------------	------------------------------------------------

Aluminium frame	<input type="radio"/> Natur. anod. <input type="radio"/> RAL 9010 <input type="radio"/> Other Colour _____
------------------------	------------------------------------------------------------------------------------------------------------

Glazing	<input type="radio"/> With <input type="radio"/> Without <input type="radio"/> Double glazed 18mm <input type="radio"/> Single glazed (mm) _____
----------------	--------------------------------------------------------------------------------------------------------------------------------------------------

Lock and pull handle outside (inside view)	<input type="radio"/> Left <input type="radio"/> Right
---------------------------------------------------	--------------------------------------------------------

Recess handle outside	<input type="radio"/> Left <input type="radio"/> Right
------------------------------	--------------------------------------------------------

Large handle inside	<input type="radio"/> Yes <input type="radio"/> No
----------------------------	----------------------------------------------------

Ironmongery	<input type="radio"/> Black <input type="radio"/> White <input type="radio"/> Aluminium col.
--------------------	----------------------------------------------------------------------------------------------

EPDM/TPV Gaskets	<input type="radio"/> Black <input type="radio"/> White <input type="radio"/> Grey <input type="radio"/> silicone-free
-------------------------	------------------------------------------------------------------------------------------------------------------------

Remark _____



Kunde _____

Komm. _____

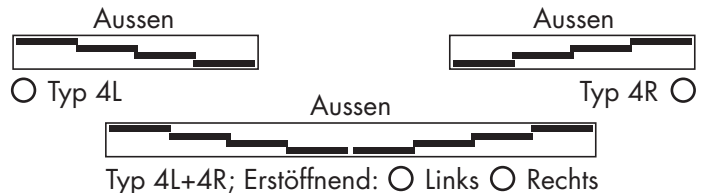
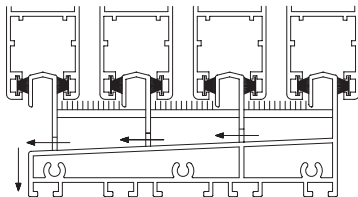
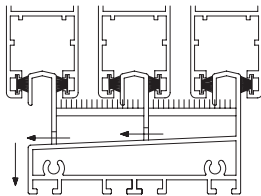
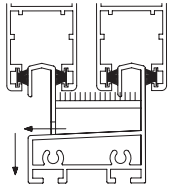
Termin KW [min. 4 Wochen] _____

Ort/Datum _____

Anzahl Beilagen (Plan/Skizze): _____

Unterschrift _____

Details



Schienenverlängerung

 Mauer Aussen

 Mauer Aussen

 Mauer Innen

 Mauer Innen

 oder 1-Gleisig

Lichtmass LM(mm) _____

Totallänge L(mm) _____

Schiebewand

Breite(mm) _____

Höhe(mm) _____ Sprossenhöhe – o.k. Sprosse(mm) _____

Verschlussriegelhöhe ab u.k. Bodenführung

 Standard: 1100mm

 Andere: min.300(mm) _____

Aluprofile

 natur elox.

 RAL 9010

 andere Farbe _____

Verglasung

 Mit

 Ohne

 Isolierglas – Dicke 18mm

 Floatglas – Dicke(mm) _____

Schloss und Ziehgriff Aussen (von innen gesehen)

 Links

 Rechts

Muschelgriff Aussen

 Links

 Rechts

Grosser Handgriff Innen

 Ja

 Nein

Beschläge

 Schwarz

 Weiss

 Alu-farbig

EPDM/TPV Dichtung

 Schwarz

 Weiss

 Grau

 silikonfrei

Bemerkung _____